

Solenoid Valves-TYPE:LCV-MG Series

Introduction of the production

Fuel gas solenoid valves are widely applied to the safe transportation of fuel gases so as to start the supply of gases or cut it off upon emergency.

The mediums of gases applicable are: natural gases, methane, liquefied petroleum gas.

When activated, the blue indicator lights up, this allows the operators to check working mode through visual observation.

Operation and installation

Normally closed type, after the power is on, it will open quickly, and when the power is off, it will be closed immediately.

By-pass ports are set on both sides and bottom of the valves, with diameter of G1/4" (DN10/15 diameter being G1/8")

Technical features

Opening Time: less than 1 second

Closing Time: less than 1 second

Numbers of operations: 20 per minute.

DN10-25 360mbar: DN32-50 200mbar

Max working Pressure: 200/360mbar

By-pass ports are set on both sides of the valves, with diameter of G1/4"

Inside filter net

Protection: IP54

Sealing material: chemigum

Body material: aluminum alloy

Pressure steel spring AISI 302.

The ambient temperature: -15°C - 60°C

Coil temperature: 65°C



Standard and certificate

achieving Grade A standard

Meet EN161 standard

Meet European Gas Standards

CE Certification

Electrical specification

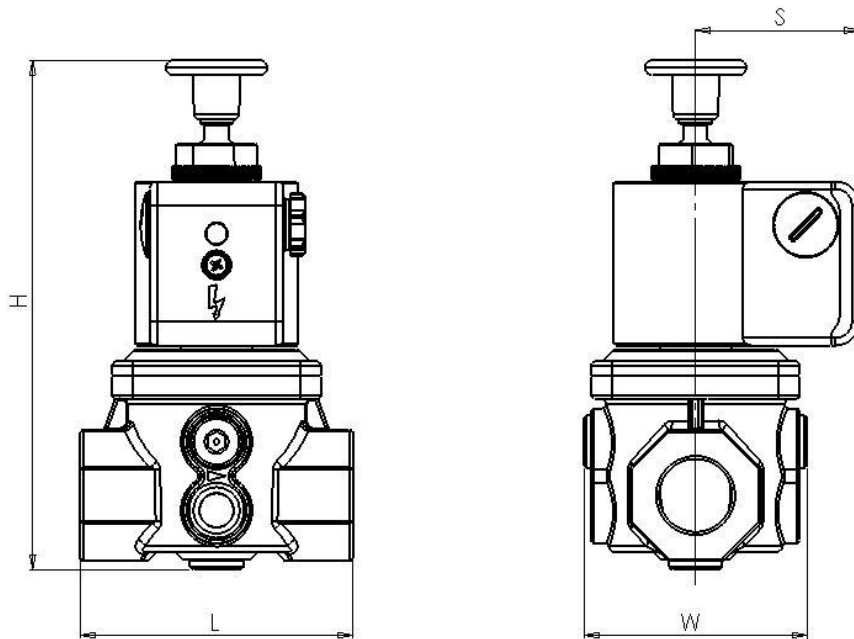
Voltage: 50-60Hz, 230Vac、110Vac、24Vdc (other voltage can be customized).

Coils to Class F, can be 360° rotation, can work 100% continuously for a long time.

Solenoid Valves-TYPE:LCV-MG Series

Model	Caliber (DN)	Connection Dimension	Max. pressure (Mbar)	Working Temperature (°C)	Protection
LCV-MG10S	10	RP 3/8"	360	-15 to 60	IP54
LCV-MG15S	15	RP 1/2"	360	-15 to 60	IP54
LCV-MG20S	20	RP 3/4"	360	-15 to 60	IP54
LCV-MG25S	25	RP 1"	360	-15 to 60	IP54
LCV-MG32S	32	RP 1¼"	200	-15 to 60	IP54
LCV-MG40S	40	RP 1½"	200	-15 to 60	IP54
LCV-MG50S	50	RP 2"	200	-15 to 60	IP54

LCV-MG Series installation dimension



Solenoid valves-TYPE:LCV-MG Series

Model	Length L(mm)	Width W(mm)	Height (closed/open) H(mm)	Coil radius of gyration S(mm)
LCV-MG10S	72	71	160/165	55
LCV-MG15S	72	71	160/165	55
LCV-MG20S	92	75	173/179	55
LCV-MG25S	100	80	179/181	55
LCV-MG32S	149	115	222/234	55
LCV-MG40S	149	115	222/234	55
LCV-MG50S	170	142	237/249	55

Gas solenoid valve installation and use precautions

1. It is advisable to select a horizontal pipe section with less vibration when installing. Types with the diameter under DN50 (including DN50) allow maximum installation tilt angle of 90°; types with the diameter over DN65 only allow horizontal installation.
2. The parameters on the solenoid valve label should be consistent with the actual use requirements.
3. The arrow on the the solenoid valve body should be consistent with the flow direction of the medium.
4. In order to ensure the normal use of the solenoid valve, please install a special gas filter in front of the valve.
5. The valve itself does not have explosion-proof performance.
6. Thoroughly purge the pipe before installation to prevent the foreign body from damaging the diaphragm and causing the solenoid valve to malfunction.
7. If it is installed outdoors and in harsh environments, it should be correspondingly effective protection.
8. When the solenoid valve fails, it is recommended to install a bypass device for timely isolation and easy maintenance.
9. If the valve fails to open and close during use, check whether the coil is powered off; whether the power supply and medium pressure are normal.
10. When the solenoid valve is not installed temporarily, it can be stored in indoor under 0-40°C relative humidity of 80% or less. It is not allowed to be stored in the open air.

Solenoid valves-TYPE:LCV-MG Flanged Series

Product Details

This LENC gas solenoid valve can be widely used in the field of gas safety transmission control to provide gas supply for opening and closing or emergency cut-off .

Application for gaseous media such as natural gas, propane, liquefied petroleum gas, etc.

The rear blue indicator lights up at start up (DN100 has no indicator light at the moment) and the working mode is visualized.

Operation and installation

Normally closed, manually open the valve when the power is on, the rear blue indicator lights up after opening.it is closed immediately when the power is off and lights off.

There are bypass holes on both sides or bottom of the valve body, and the hole diameter is G1/4"

Operation and installation

Opening time: manually open after power-on.

Closing time: automatically close after power off, less than 1 second

Maximum working pressure: 200mbar

Equipped with G1/4 aperture bypass hole

Built-in filter (DN65/80)

Protection level : IP54

Sealing material: Nitrile Rubber

Body material: aluminum alloy for valve ;

AISI 302 steel spring

Ambient temperature: -15 ° C - 60 ° C

Coil temperature: 65 ° C

Standards and certification

"A" standard

EN161:2002 standard

Meet UK and European gas standards

CE certification

Electrical specification

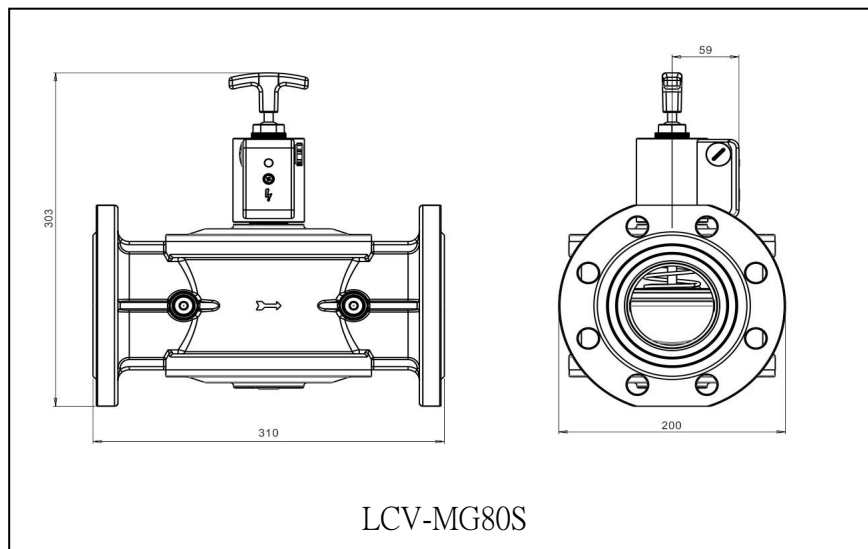
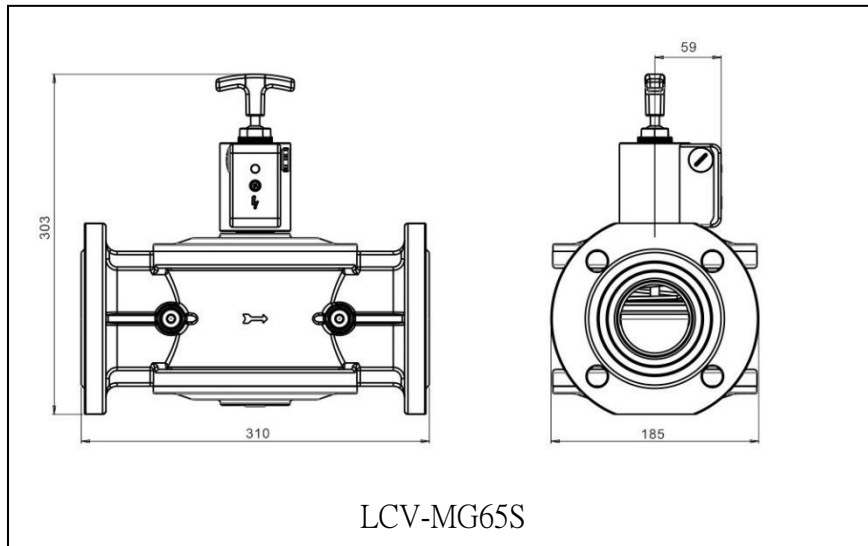
Rated voltage: 50/60Hz, 230Vac 、 110Vac、 24VDC (and other specification)

Coil grade F, can be 360° rotation, 100% continuous operation

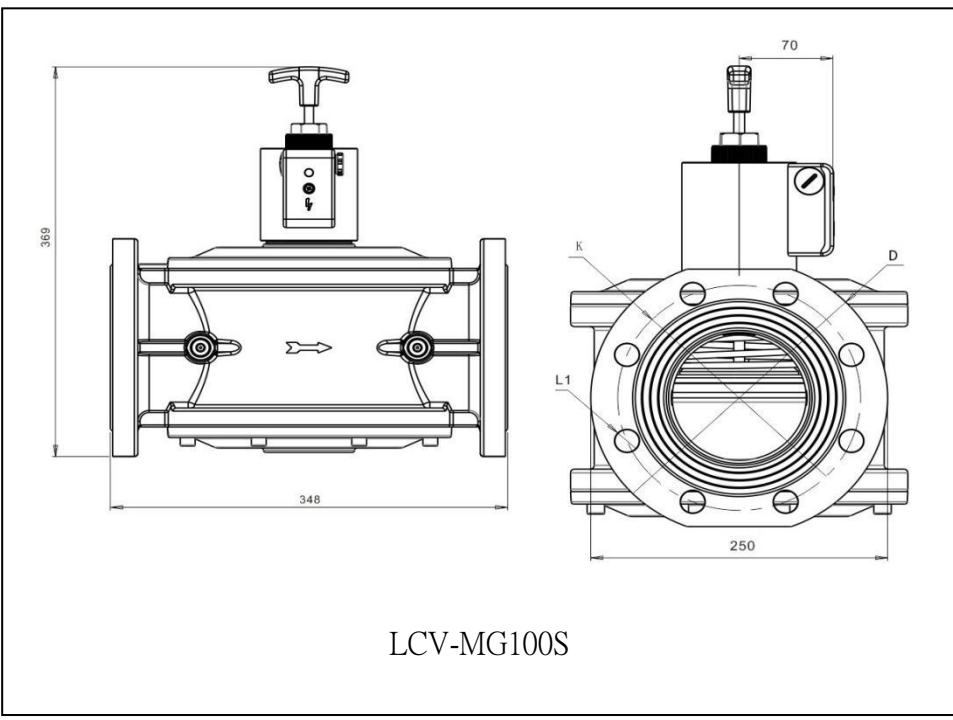
Solenoid valves-TYPE:LCV-MG Flanged Series

Model	Passage (DN)	Connection	Max. pressure (Mbar)	Working temperature (°C)	Protection
LCV-MG65S	65	PN 16 1½"	200	-15 to 60	IP54
LCV-MG80S	80	PN 16 3"	200	-15 to 60	IP54
LCV-MG100S	100	PN 16 4"	200	-15 to 60	IP54

"LCV-MG "Series Installation dimension



Solenoid valves-TYPE:LCV-MG Flanged Series



Model	Length L(mm)	Width W(mm)	Height (close/open) H(mm)	Coil radius of gyration S(mm)	Flanged size (mm)			
					D	K	L1	N
LCV-MG65S	310	185	303/316	59	185	145	18	4
LCV-MG80S	310	200	312/325	59	200	160	18	8
LCV-MG100S	348	250	369/392	70	220	180	18	8